



Robert Goddard Montessori

9850 Good Luck Road

Seabrook, MD 20706

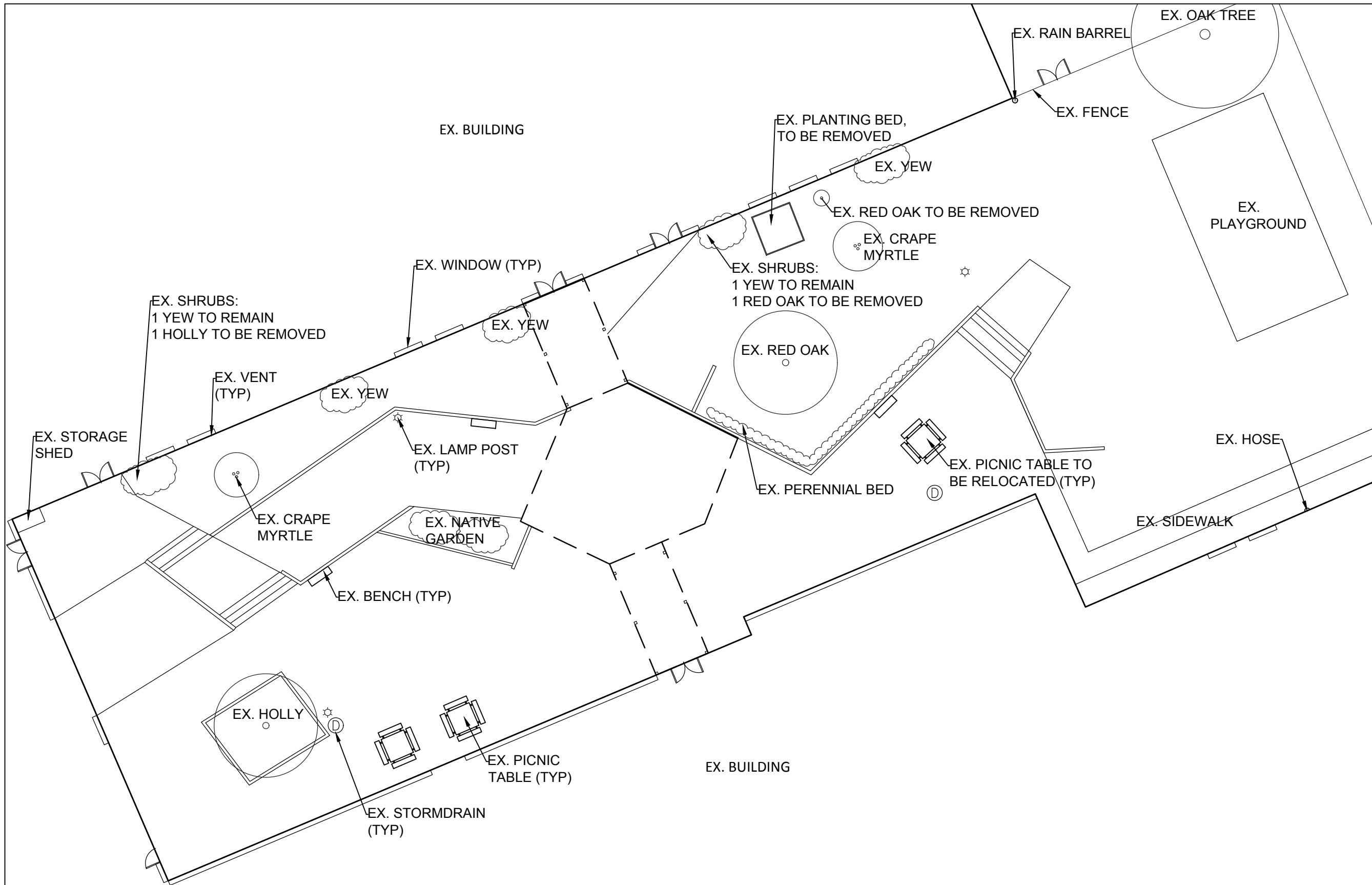
Please provide an itemized bid for the following work. Provided square footage and other measurements are derived from the provided design documents. Contractors should verify these square footages for the purpose of their quote. If the contractor is unable to provide a bid for an item, please notate that in your response as an exclusion. Please provide quantities for each item (i.e. "Shredded Hardwood Mulch: 10 Cubic Yards). Installation labor, overhead, etc. should be its own line item.

Please contact Bryan McKnight at 301-699-6204, ext. 121 (office), 443-540-5987 (cell), or bmcknight@anacostiaws.org with any questions about scope of work, material, etc.

Bid Request Scope of Work

Item Name	Per Unit	Qty	Unit Price	Shipping	Total	Price Range	Dimensions
Outdoor classroom benches	EA	8	\$300.00	\$ -	\$2,400.00		
Outdoor shade sail - square	EA	2	\$1,100.00	\$ -	\$2,200.00	\$750-\$1100	
Home Depot - Locked storage demonstration table	SF	1	\$164.76	\$ -	\$164.76	\$150-\$200	46"L x 24.64"W x 37.8"H; 123 gal.
Concrete for stage	SF	167	\$16.00	\$ -	\$2,672.00		
Concrete for reading pad	SF	15	\$16.00	\$ -	\$240.00		
Houzz - Garden Bench w/ Rose-patterned Backrest	EA	2	\$92.21	\$0.00	\$184.42	\$80-\$250	D 20" x 48" W x 28.7"H
Plant material - reading garden	EA	1	\$300.00	\$ -	\$300.00		
Galvanized planter edible garden	EA	5	\$140.00	\$183.00	\$883.00	\$100-\$140	2'D x 2' W x 5'L
Rasied bed soil mix	EA	5	\$95.00	\$ -	\$475.00		
Wooden post board	EA	1	\$1,000.00	\$ -	\$1,000.00		6'L x 10"W x 36"H

Concrete chalk step stones	EA	40	\$30.00	\$ -	\$1,200.00		1'L' x 1'W
Site prep for step stones @12"	CY	2	\$110.00	\$ -	\$220.00		
Houzz - Alexandria Tree Bench - semi circle	EA	1	\$293.61	\$0.00	\$293.61	\$160-\$400	68.5"D x 34.25"W x 18.5"H



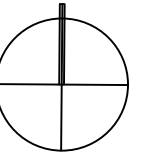
EXISTING CONDITIONS PLAN

SCALE: 1" = 20'



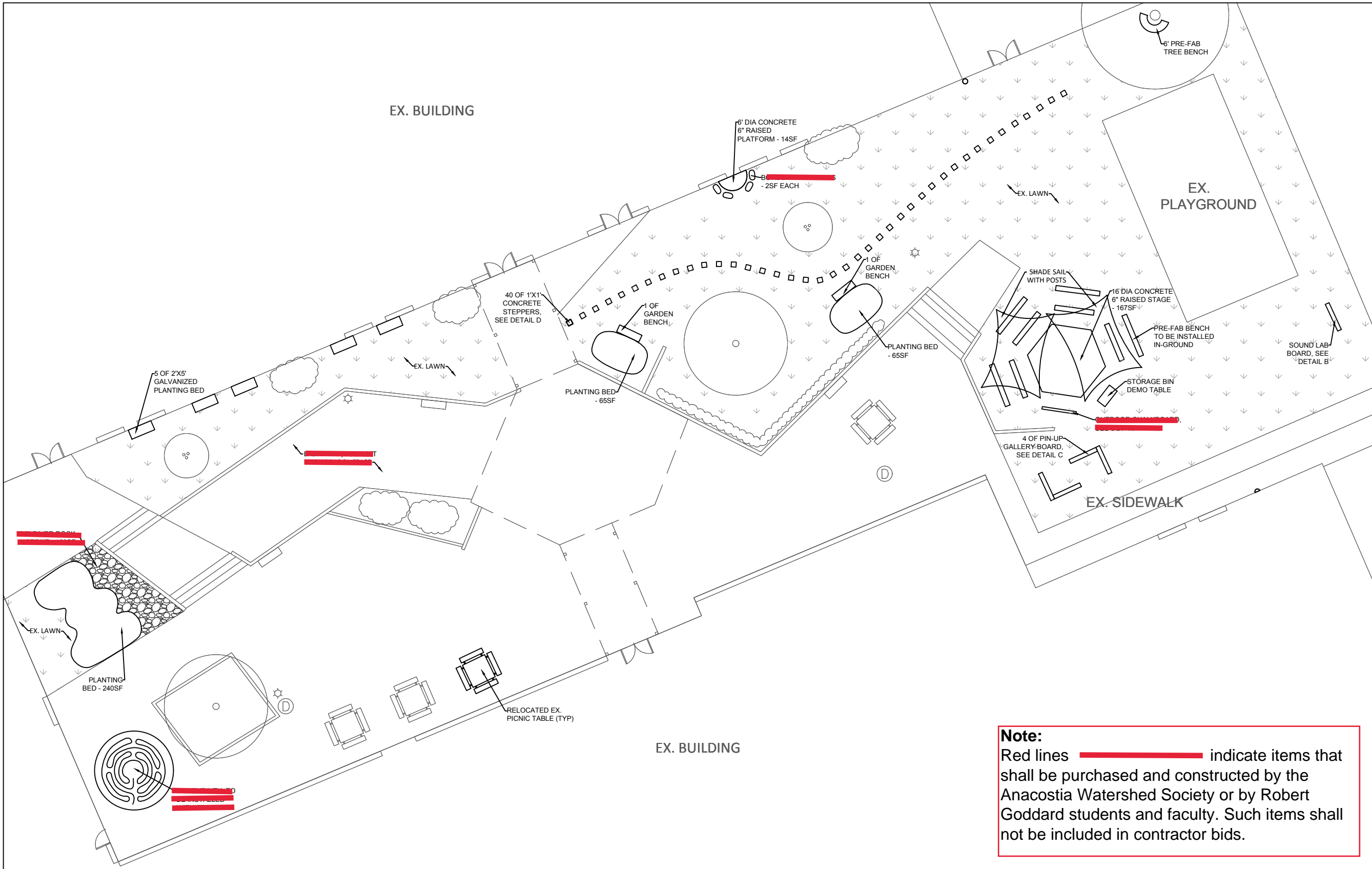
**Robert Goddard Montessori
Outdoor Classroom**

9850 Good Luck Road, Seabrook, MD 20706
02.25.2020



**EXISTING
CONDITIONS**

L-1



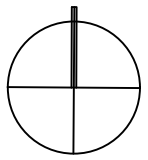
Note:
 Red lines indicate items that shall be purchased and constructed by the Anacostia Watershed Society or by Robert Goddard students and faculty. Such items shall not be included in contractor bids.

LAYOUT PLAN
 SCALE: 1" = 20'



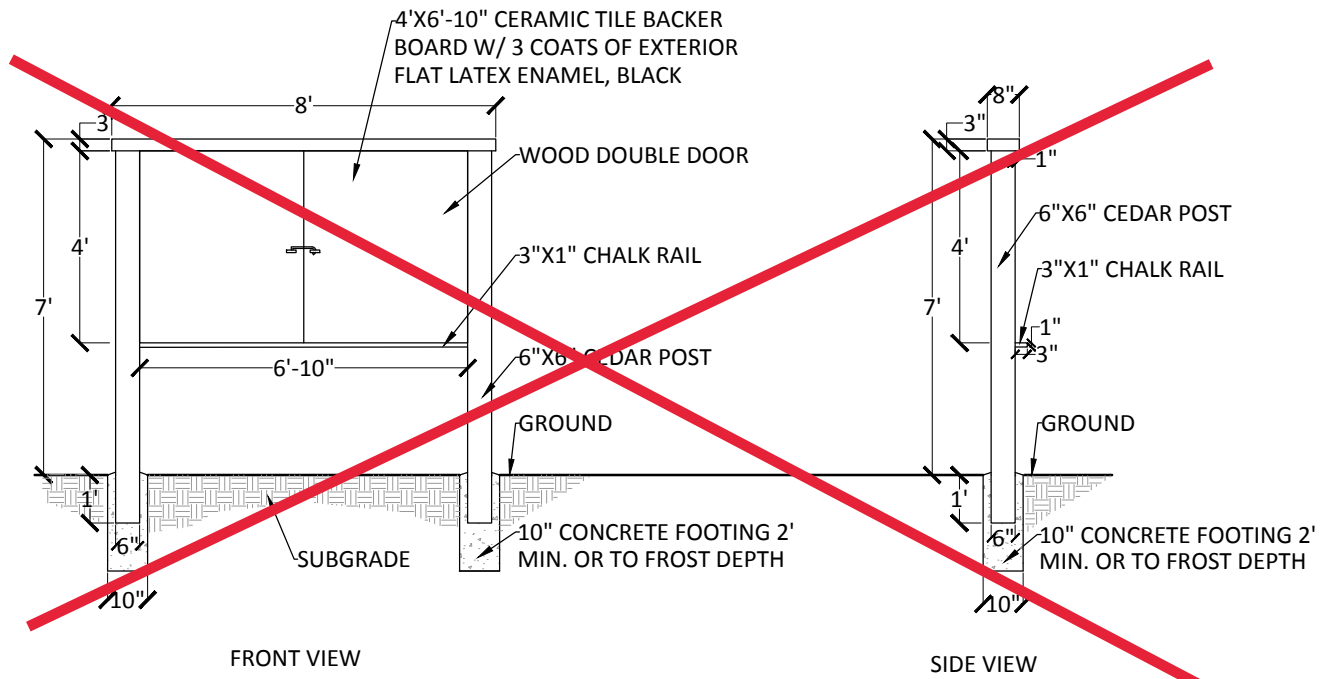
**Robert Goddard Montessori
 Outdoor Classroom**

9850 Good Luck Road, Seabrook, MD 20706
 02.25.2020

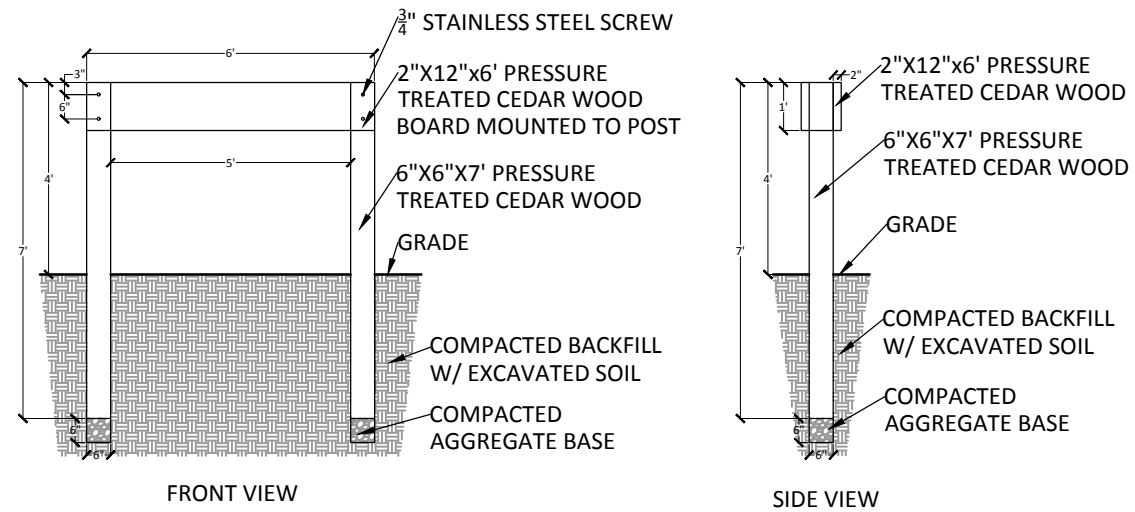


LAYOUT PLAN

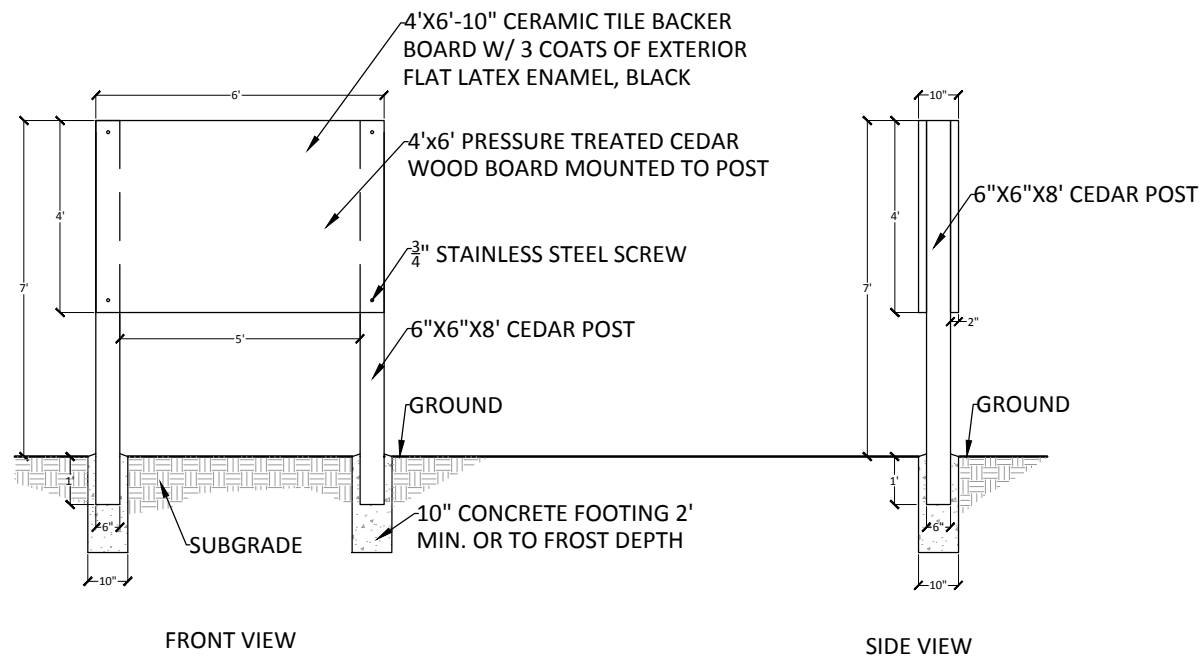
L-2



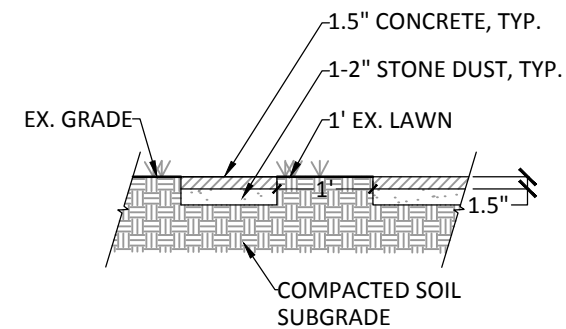
A OUTDOOR CHALKBOARD
1 SCALE: 1/4" = 1' - 0"



B SOUND LAB BOARD
1 SCALE: 1/4" = 1' - 0"



C PIN-UP GALLERY BOARD
1 SCALE: 1/4" = 1' - 0"



D CONCRETE STEPPERS
1 SCALE: 1/2" = 1' - 0"

